

LX2 ModLINK™ connects Agrowtek's intelligent sensors, peristaltic dosing pumps, and control relays equipped with a GrowNET™ RJ45 port to a standard RS-485 or RS-422 serial bus for use with the MODBUS RTU protocol. ModLINK is an MCU-buffered bridge between Agrowtek's high-speed, full duplex devices connected with RJ45 cables, to a terminal block for integration with PLC systems. HX8 device hubs can be daisy chained to the LX2 ModLINK™ to connect as many as 247 devices using standard MODBUS addressing. LX1 USB link is required to change default serial connection settings.



Made in USA.

Available with DIN rail mounting kit.



Made in USA



Industrial MODBUS RTU



Digital Signal Buffering



DIN Rail Kit Available



1-Year Warranty

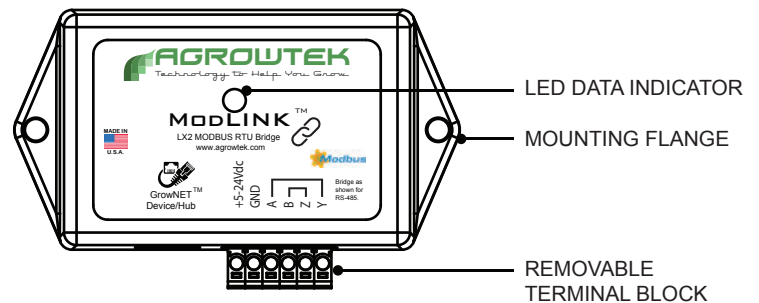
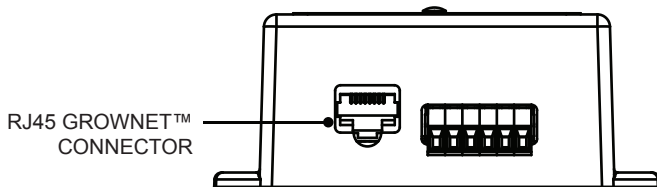
Specifications

Power Supply: 5 - 24 Vdc

Default Connection: 19,200 Baud, 8-E-2

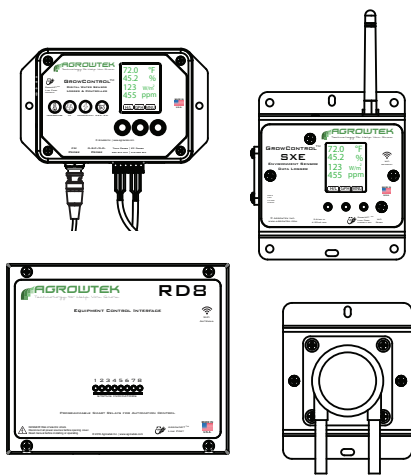
Programmable with LX1: 9,600 - 115,200 Baud

Message Buffer Memory: 2048 Bytes



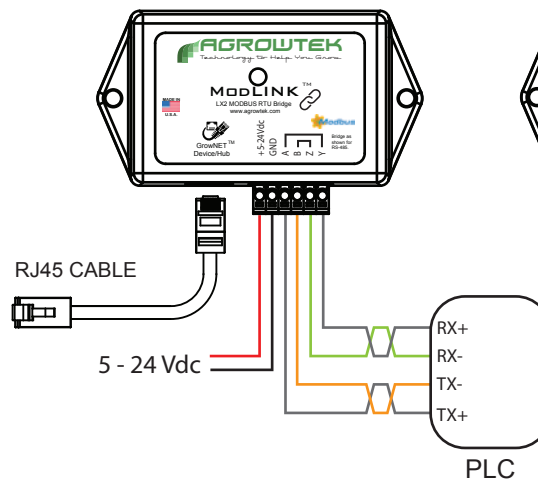
Typical Installation

GROWNET™ Devices

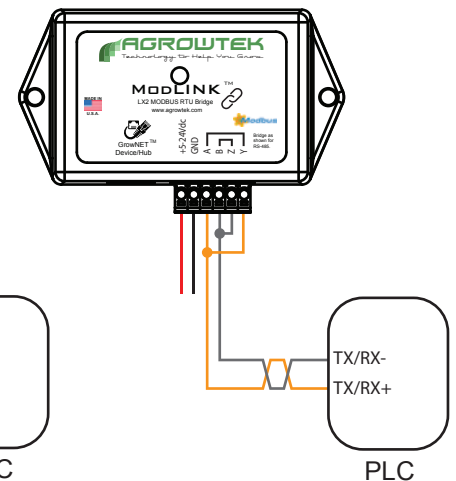


115.2k Baud Full Duplex Bus

RS-422

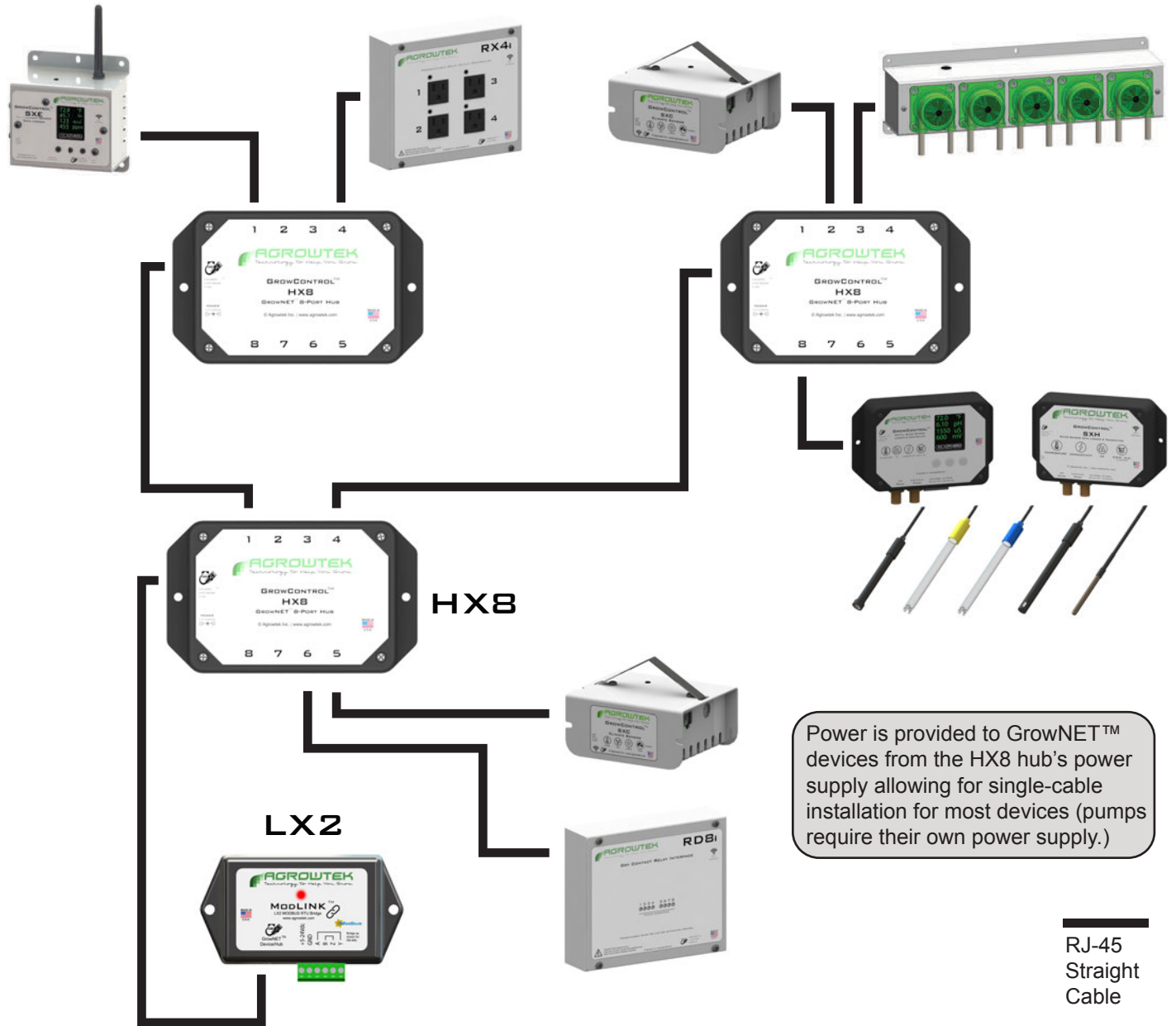


RS-485



3.3/5Vdc Serial Bus Compatible.
Include required bus terminating resistors per EIA standard.

GrowNET Network Example



Ordering Options

LX2 - 192 - 8 - E - 2 (default)

96: 9.6kBaud
 192: 19.2kBaud
 384: 38.4kBaud
 1152: 115.2kBaud

Stop Bits
 Parity
 Data Bits

ModLINK™ May be ordered with customized connection pre-configured, or use LX1 USB link to configure with free PC program.

Optional Accessories



LX1

USB AgrowLINK™
 GrowNET™ Bridge



HX8

GrowNET™
 8-Port Hub