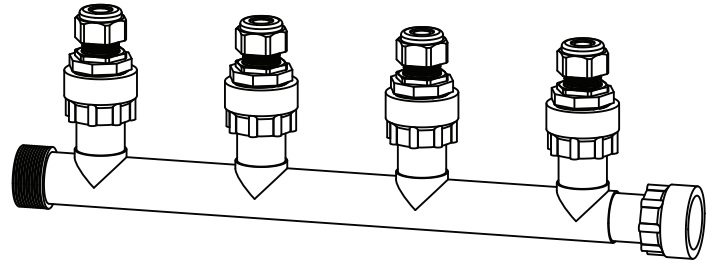
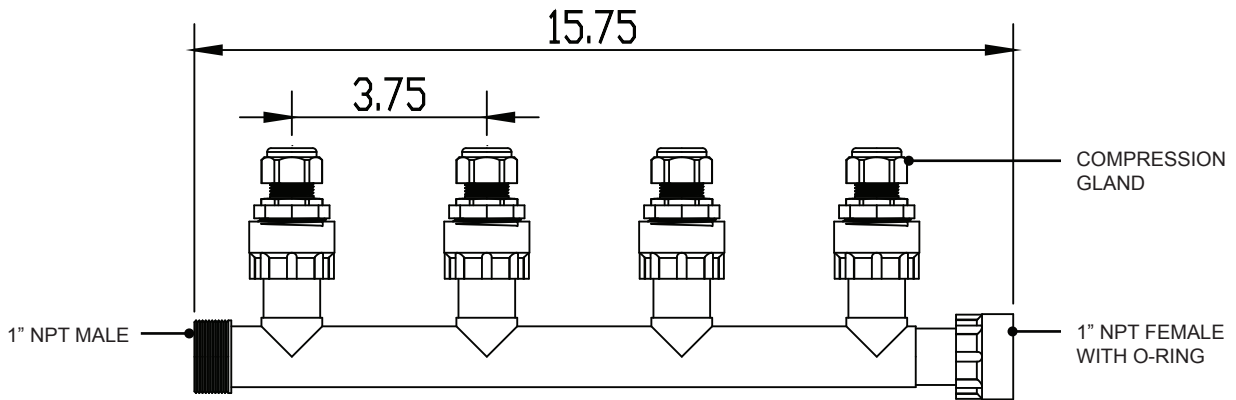


4-PORT WATER PROBE MANIFOLD

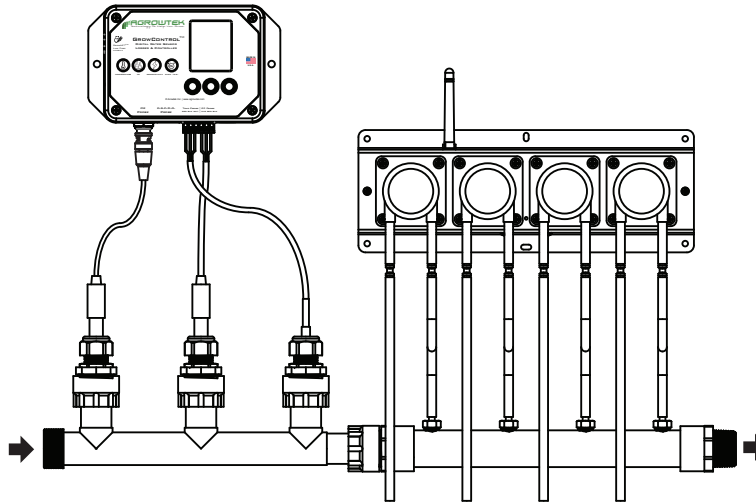
PBX-410 integrates four water-tight gland fittings into a 1" PVC manifold for sensing pH, EC, ORP and water temperature inline with a recirculating pump. Compression glands have a rubber insert that clamps around the probes when tightened. Manifolds make it easy to install and remove probes for calibration and maintenance.



Specifications



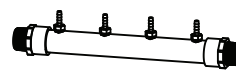
Typical Installation



Ordering Options

(no options)

Optional Accessories



PBX-104

Injection Manifold