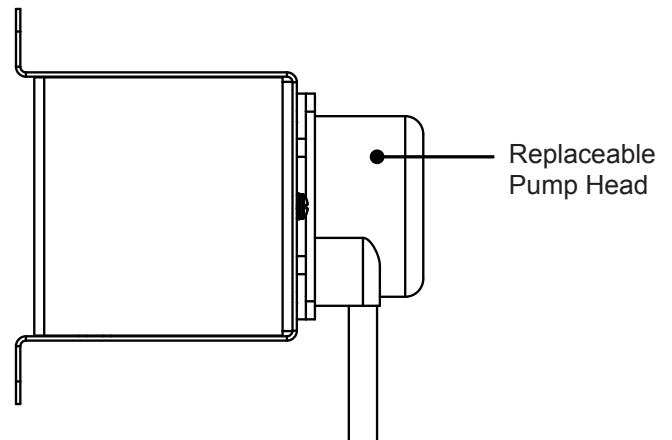
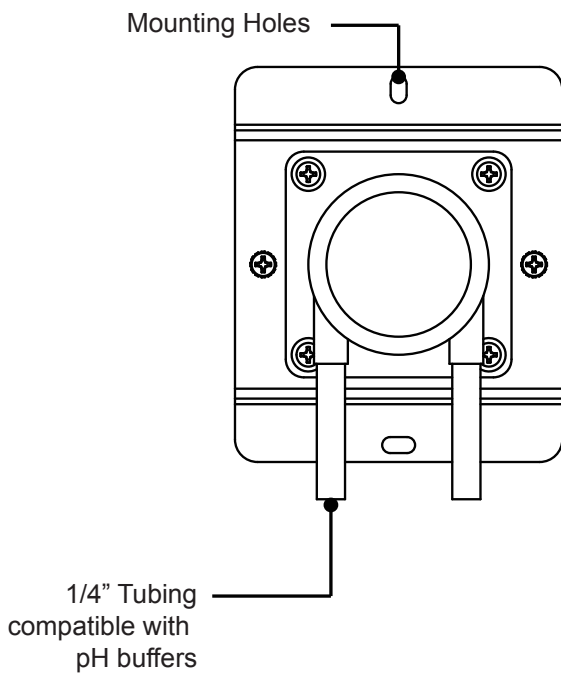
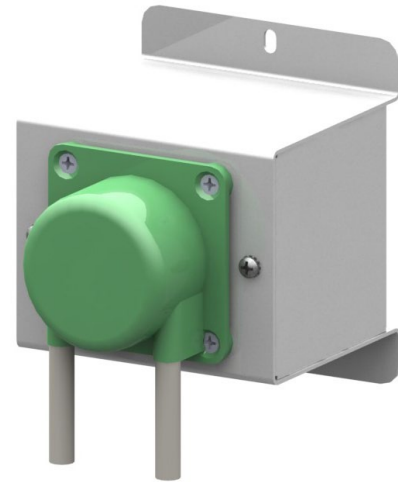


AgrowDose Peristaltic Pump

Specifications

Power	12Vdc, 1Amp
Flow Rate	FIXED, ~50mL/min
Tubing Material	FDA Approved Norprene
Tubing Size	1/4" O.D. x 3/16" I.D.
Max Outlet Pressure	20psi
Minimum Dose Size	1mL



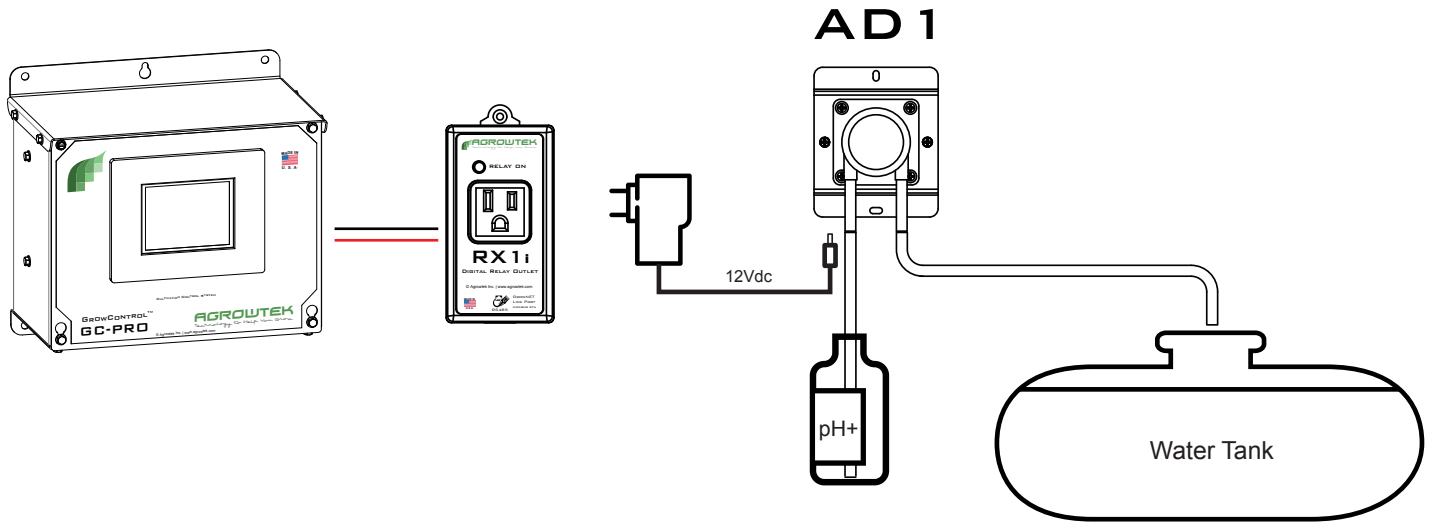
Installation Instructions

Mount the pump on a vertical wall surface using the holes in the mounting flanges. The center flange hole may be used to hang and level the pump, however, the corner screw holes should be used for final mounting. Use caution to avoid over-tightening the screws and bending the flanges.

A 120Vac wall receptacle will be required within 6ft of the pump for the power adapter.

Connections

Each pump has an inlet (suction) and outlet (pressure) tube. Using barbed tubing connectors, install an inlet tube for each pump into the respective concentrate container, then install an outlet tube to the mixing reservoir or injection manifold as shown below.



AgrowDose AD1 pumps must be connected to a power-controlled outlet such as Agrowtek's RX1.

Service

Pump heads are non-servicable, but easily replaceable. In the event the tubing in the pump head has become worn and has started leaking, follow the procedure below to replace the pump head.

1. Disconnect the power from the pump.
2. Disconnect the pump head tubing from the barbed connectors.
3. Grasp the pump head and rotate CCW 1/8 turn until it stops.
4. Pull the pump head off of the motor shaft.
5. Install a new pump head onto the motor shaft, first aligning the flat on the shaft with the pump.
6. Rotate the pump by hand to the correct orientation, then seat into the pump motor base.
7. Rotate the pump 1/8 turn CW to lock into position.

Warranty

Agrowtek Inc. warrants that all manufactured products are, to the best of its knowledge, free of defective material and workmanship and warrants this product for 1 year from the date of purchase. This warranty is extended to the original purchaser from the date of receipt. This warranty does not cover damages from abuse, accidental breakage, or units that have been modified, altered, or installed in a manner other than that which is specified in the installation instructions. Agrowtek Inc. must be contacted prior to return shipment for a return authorization. No returns will be accepted without a return authorization. This warranty is applicable only to products that have been properly stored, installed, and maintained per the installation and operation manual and used for their intended purpose. This limited warranty does not cover products installed in or operated under unusual conditions or environments including, but not limited to, high humidity or high temperature conditions. The products which have been claimed and comply with the aforementioned restrictions shall be replaced or repaired at the sole discretion of the Agrowtek Inc. at no charge. This warranty is provided in lieu of all other warranty provisions, express or implied. It is including but not limited to any implied warranty of fitness or merchantability for a particular purpose and is limited to the Warranty Period. In no event or circumstance shall Agrowtek Inc. be liable to any third party or the claimant for damages in excess of the price paid for the product, or for any loss of use, inconvenience, commercial loss, loss of time, lost profits or savings or any other incidental, consequential or special damages arising out of the use of, or inability to use, the product. This disclaimer is made to the fullest extent allowed by law or regulation and is specifically made to specify that the liability of Agrowtek Inc. under this limited warranty, or any claimed extension thereof, shall be to replace or repair the Product or refund the price paid for the Product.