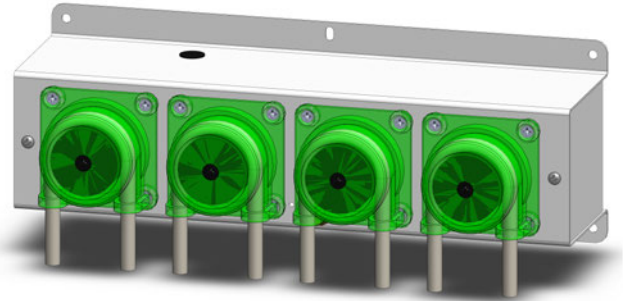


AgrowDose AD4 “quad” peristaltic dosing pump with four independent pump heads for injecting nutrient solutions, pH buffers, chlorine, chemicals, food and beverage mixing, and more. Pump precise volumes of liquids at variable flow rates into reservoirs or pressurized lines (up to 25psi.)

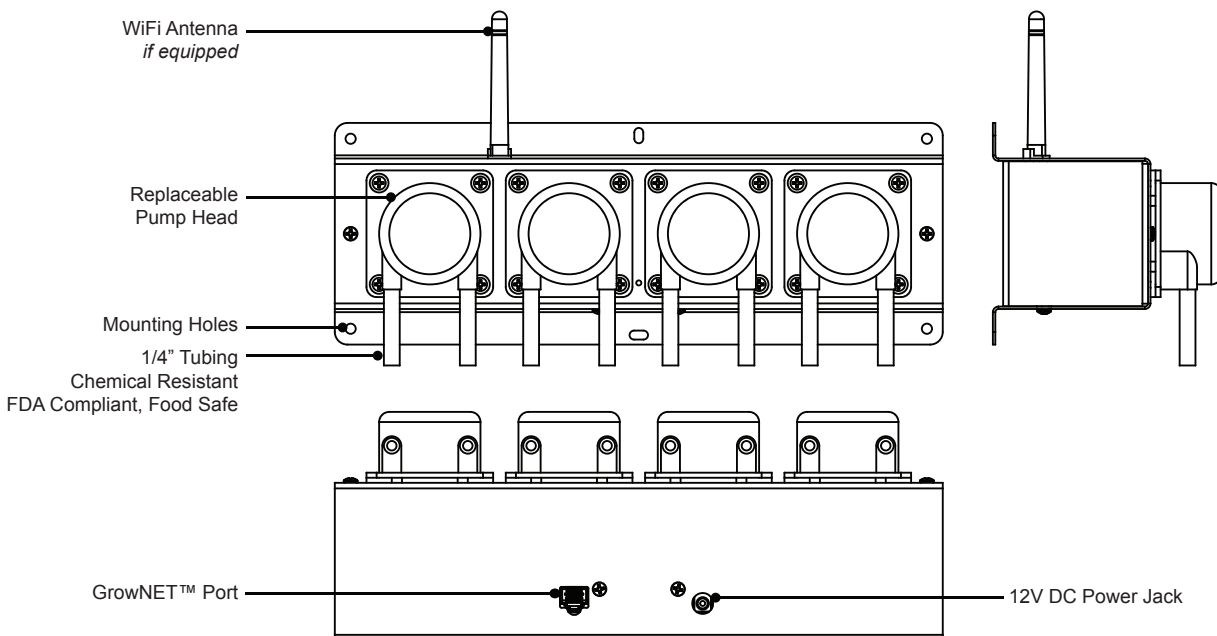
AgrowDose pumps connect instantly to Agrowtek’s intelligent SXH and PHX dosing controllers through the GrownET™ port for advanced automated dosing functions. Use stand-alone with the LX1 USB AgrowLINK for PC batch dosing, or the LX2 ModLINK for MODBUS.

Pumps can draw solutions up to 10ft vertical lift and do not require priming. Peristaltic action resists fouling or clogging even with thick fluids.



Features

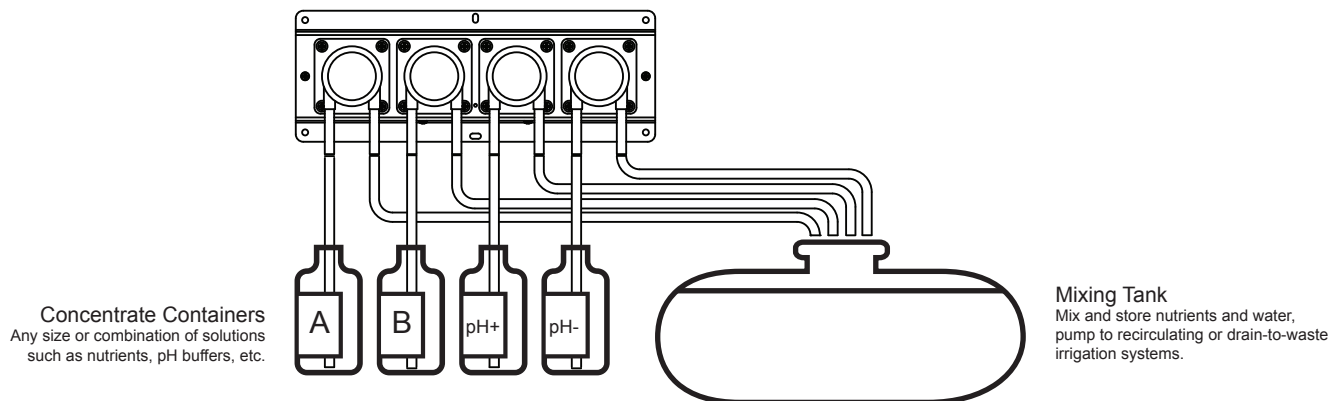
- Four independent dosing pumps
- Precision dosing accuracy < 1mL
Variable speed, reversible
- 12V DC input power
120V Wall adapter included
- Easy-change pump heads
Twist & replace; no tools required
- 1-Year Warranty
- WiFi optional
- GrownET™ Digital Communication Port
- MODBUS RTU for industrial PLC control
Independent variable speeds, reversible
- Durable powder-coated steel enclosure
- Made in USA



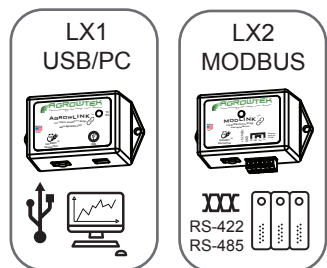
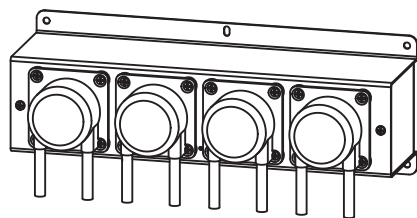
AGROWDOSE AD4i

QUAD PERISTALTIC DOSING PUMP

Installation Example

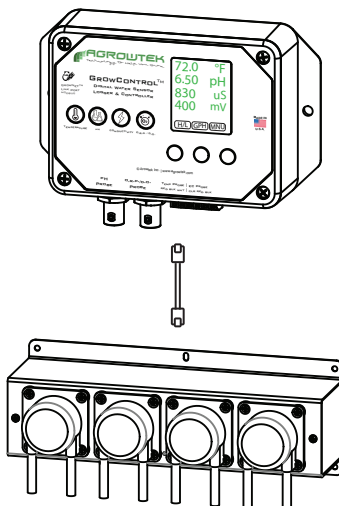


Stand Alone



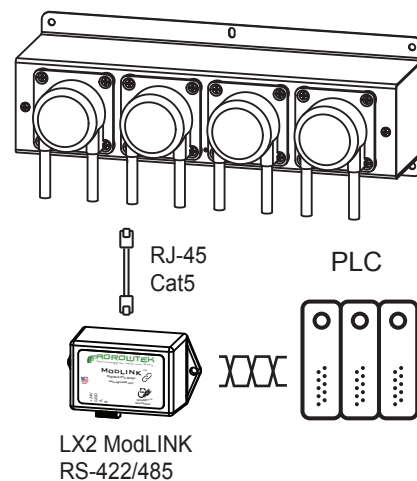
Connect intelligent dosing pumps directly to a computer using the LX1 USB LINK and free PC software for batch-dosing and manual control from a computer. Connect to industrial controllers using LX2 ModLINK for standard MODBUS protocol. HX8 GrowNET hubs allow multiple devices to be addressed on an LX interface.

Dosing System



Combine a SXH or PHX controller and AgrowDose pump to form a powerful automatic nutrient and pH dosing system. Configure basic dosing functions on the sensor screen to operate a dosing pumps without a controller. Log data to the internal memory or web portal, send email alerts and more.

Industrial PLC



Agrowtek's digital variable speed peristaltic pumps are convenient and easy to implement on PLC systems with MODBUS RTU for advanced addressable communication. Use HX8 GrowNET™ hubs to network multiple devices to a PLC.

Ordering Options

AD4i - 50 W

- WiFi Radio & Antenna
- 50: 50mL/min max flow rate
- 200: 200mL/min max flow rate

Optional Accessories

