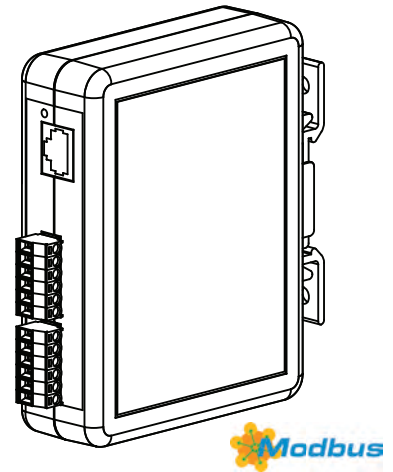


DXR6 digital control interface features six (6) 1-Amp dry-contact relay outputs rated 30Vac/Vdc. Ideal for interfacing with 24Vac control signals for HVAC, dehumidifiers, and other mixed voltage control signals.

Connects instantly to Agrowtek's master control systems or intelligent sensors via a GrowNET port for advanced automated control functions. GrowNET port accepts MODBUS RTU communication for PLC control.

LED indicators on the front panel provide status of power supply and data communications. Designed for DIN rail mounting in control cabinets.



Features



Six (6) 1-Amp Dry Contact Relay Outputs



GrowNET™ Digital Communication Port



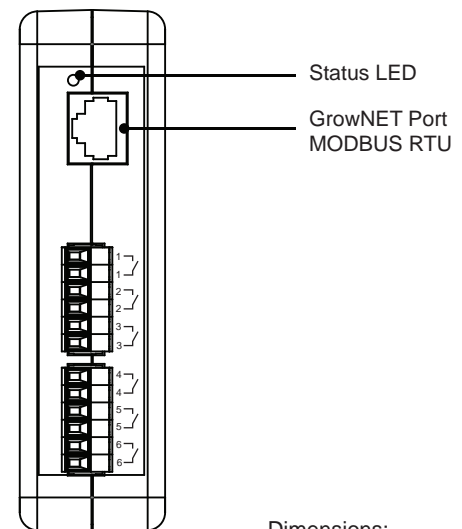
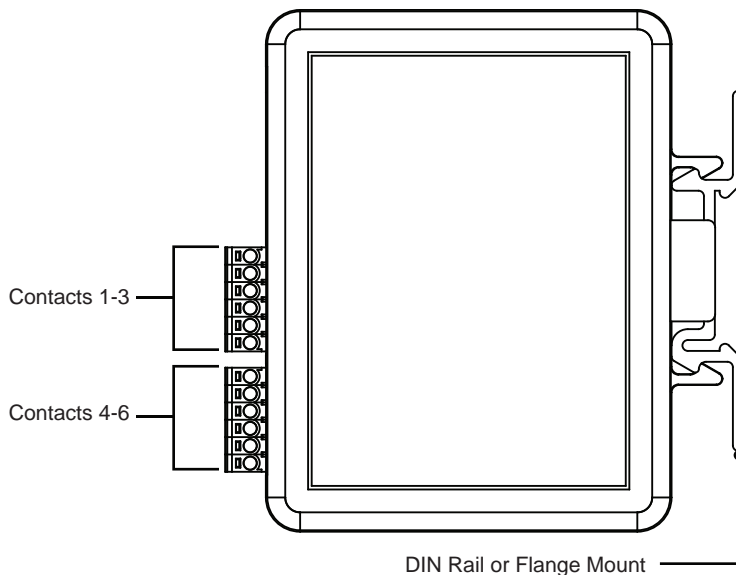
MODBUS RTU for industrial PLC applications
9-24Vdc, DIN rail mount



Made in USA



1-Year Warranty



Dimensions:
4.5" H x 1.3" W x 4.1" D

DXR6

6-Contact Relay Module

Applications



HVAC Systems
24Vac heat, cool, fan, valve & other signals



Custom Equipment



Dehumidifiers



Irrigation Solenoid Valves

GrowControl™ GCX Controller



Connect to GrowControl™ Cultivation Controllers for advanced functions as part of a complete facility control solution. GrowControl™ GCX systems feature intelligent control functions optimized for today's complex growing environments.

USB



Connect GrowNET™ devices directly to a computer using the LX1 USB AgrowLINK™ and free PC software for data logging and monitoring.

MODBUS



GrowNET™ devices are easy to implement on PLC systems with MODBUS RTU and a LX2 ModLINK™ interface. Multiple GrowNET™ devices can be connected to an interface with HX8 GrowNET™ hubs.

Ordering Options

DXR6

No Options

Optional Accessories



LX1
USB
AgrowLINK™



LX2
RS-485
ModLINK™



HX8
GrowNET™
Device Hub