

TEROS 12 soil moisture content and electrical conductivity sensors are popular in agriculture applications all over the world for monitoring plant soil/media conditions and controlling irrigation.

HXT Sensor Hubs connect TEROS 12 moisture sensors to GrowControl™ GCX Cultivation Control Systems for data logging, irrigation management and crop-steering control.

HXT sensor hubs can connect up to eight (8) TEROS 12 sensors. Sensors are powered from the HXT hub and are automatically recognized when plugged in.

HXT hubs work with any Teros 12 sensors that have 3.5mm TRS plug (stereo) connectors.

HXT hubs feature MODBUS protocol for industrial PLC applications.



Features



(8) 3.5mm ports for TEROS-12 Soil/Media Moisture Sensors



Provide power to TEROS-12 sensors from the HXT hub.



SDI-12 Digital Sensors



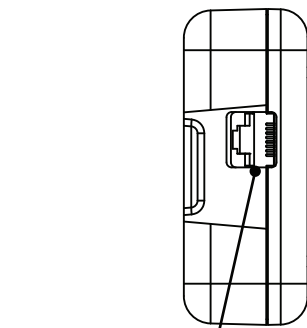
1-Year Warranty



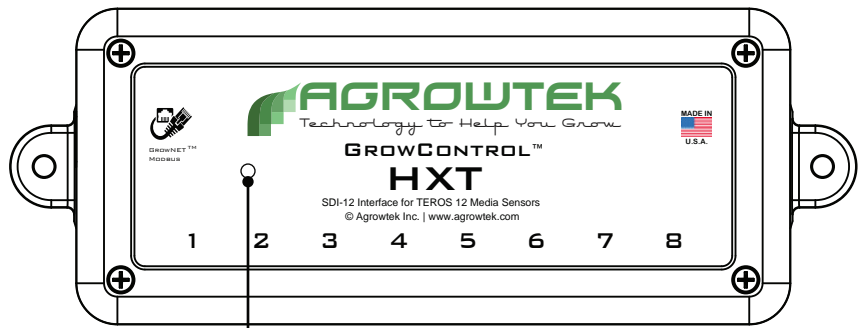
Tough ABS plastic enclosure



Made in USA



GrowNET™
RJ-45 Port



Data LED

8X 3.5mm TRS Jack
12VDC OUT (4mA/Jack)
SDI-12 Data for TEROS 12 Sensors

