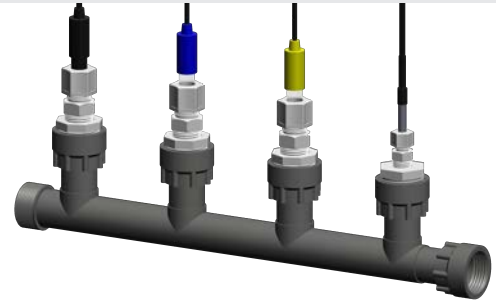


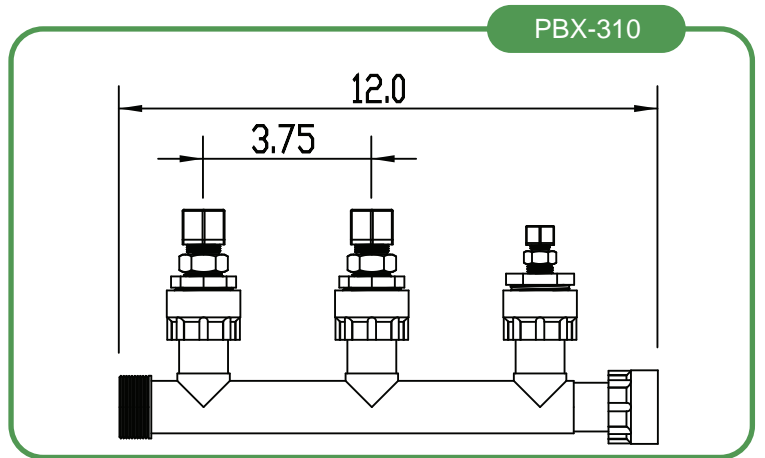
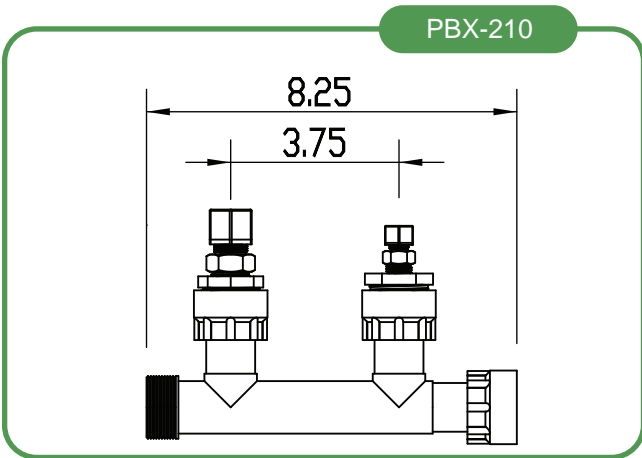
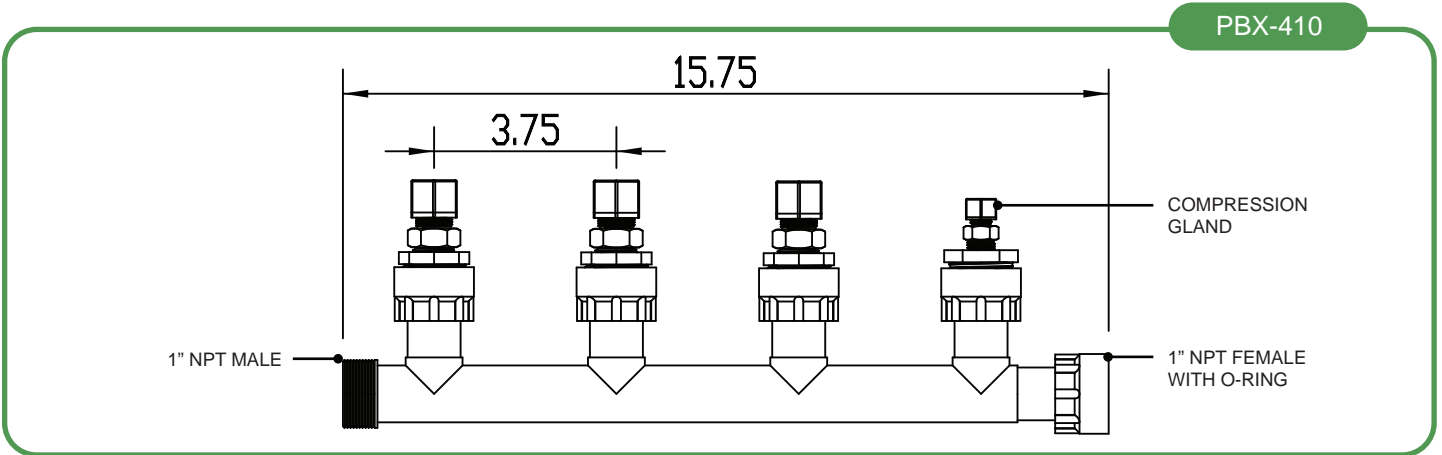
Sensor Probe Manifold

PBX sensor manifolds integrate water-tight gland fittings into a 1" PVC manifold for sensing pH, conductivity, ORP and water temperature inline with a recirculating pump. Compression glands have a sleeve insert that clamps around the probes when tightened. Manifolds make it easy to install and remove probes for calibration and maintenance.

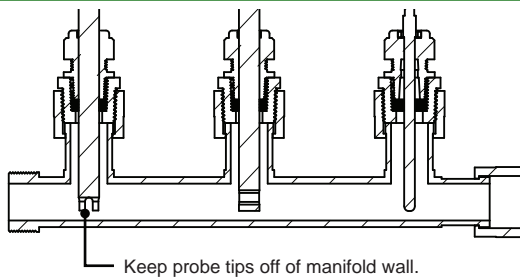
Available in 2, 3 or 4 port configurations. Max: 90psi, 30gpm.



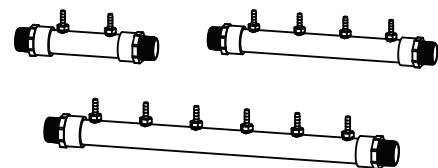
Specifications



Important Note



Optional Accessories



PBX-100
Injection Manifolds