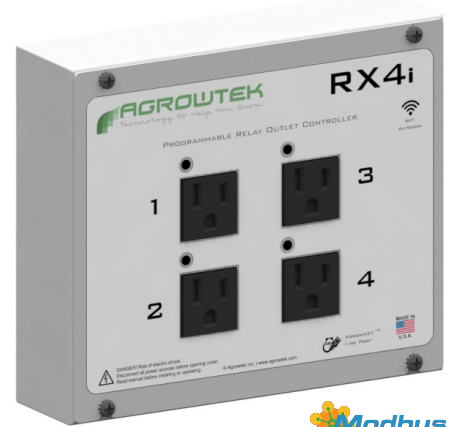


RX4i independently operates four receptacles for control of equipment such as: irrigation pumps, CO2 equipment, fans, lighting trigger cords, etc.

Connects instantly to Agrowtek's mini controllers via the GrowNET™ port for advanced automated control functions. Use stand-alone with the optional WiFi module or LX1 USB AgrowLINK for PC based control. LX2 ModLINK connects GrowNET™ devices to RS-422/485 for MODBUS RTU protocol communication.

LED indicators on the front panel provide status of each outlet. Rugged metal enclosure for wall mounting. Durable 20A relays and 15A receptacles. Conduit knock-outs and screw terminals for easy electrical installation.

Flexible and reliable outlet controller suitable for many applications.



Features



Four independent relay outlets with status indicator lights



120V / 15A Capacity
Built-in DC power supply, no external adapter



Internal terminal block connection
Available with power cord kit



1-Year Warranty



WiFi optional for direct control



GrowNET™ Digital Communication Port



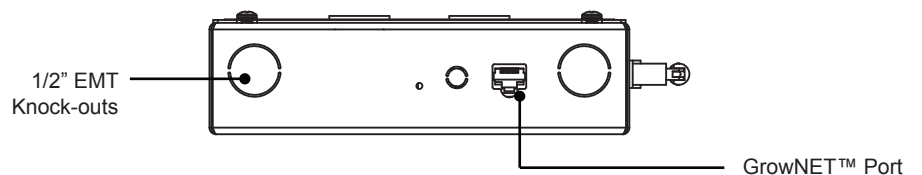
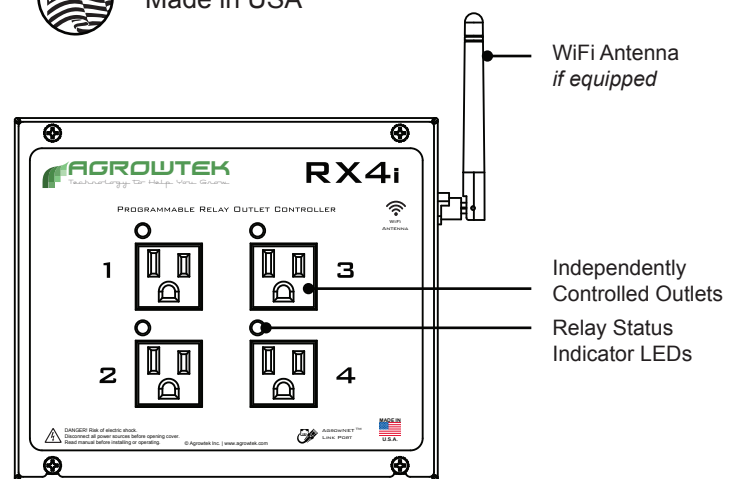
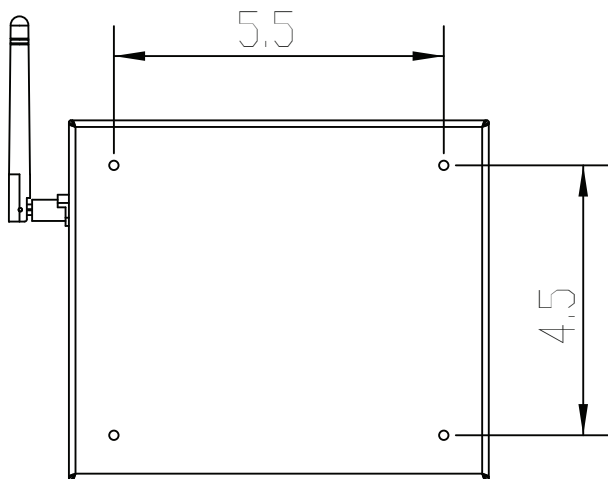
MODBUS RTU for industrial PLC control



Durable powder-coated steel enclosure



Made in USA



Standard Applications



Carbon Dioxide Tanks, Generators



Lights & Lighting "Trigger" Cords



Water Irrigation Pumps



Exhaust & Circulation Fans

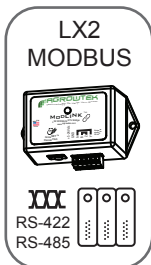
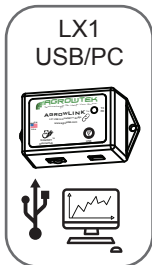
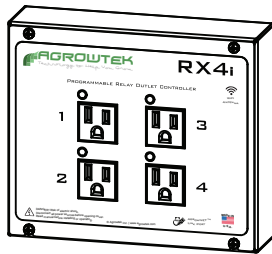


AgrowDose AD1 Single Dosing Pump



Industrial Automation & Hobby Projects

Stand Alone

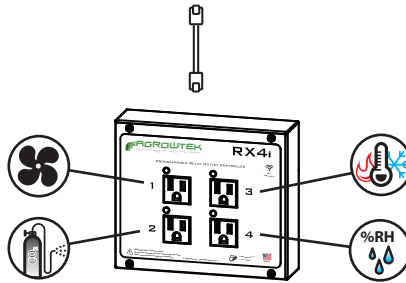
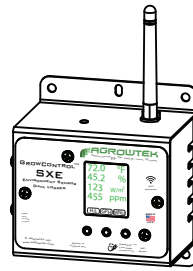


Connect a relay directly to a computer using the LX1 USB AgrowLINK and free PC software for manual control from a PC. *API and C# demo code available for custom applications.*

Add the WiFi option to control directly from any web browser.

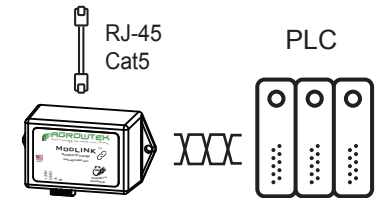
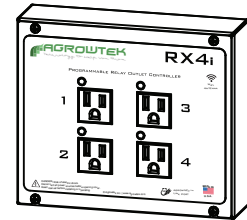
MODBUS RTU for PLC control.

Mini Controller



Connect the RX4i relay directly to Agrowtek's intelligent SXE climate sensors to create a basic environmental control system. Program outlets individually for temperature, humidity, or CO2 and cycle timer control. Uses the GROWNET ports and a cross-over cable to link the devices together.

Industrial PLC



LX2 ModLINK
RS-422/485
MODBUS RTU

Agrowtek's relays are convenient and easy to implement on PLC systems with MODBUS RTU for advanced addressable communication. Use HX8 GrowNET™ hubs to network multiple devices to a PLC.

Ordering Options

RX4i - P W

WiFi Radio & Antenna
Cord Kit; 6ft 15A 120V
power cord & grommet kit

Optional Accessories



LX1
USB AgrowLINK
GrowNET Bridge



LX2
MODBUS
GrowNET Bridge



HX8
GrowNET
8-Port Hub